

## SC 155 II

### Self Contained LED Lantern for buoys and minor beacons

SC 155 II a self contained LED lantern for fixed and floating structures. The lantern is complete including solar panels, battery and charge controller. The lantern is designed for harsh marine environment and for long uninterrupted operation.

- Range 7 nm (Tc=0,74)  
10 nm (Tc=0,85)
- Standard IALA colours Red, Green, White, Yellow
- Light module of rugged aluminium housing and body of UV resistant polyethylene
- Integrated flasher with day-light switch and solar charger
- Standard VRLA battery or optional NiCd for low temperature areas
- Ventilated battery compartment
- Solar modules with tempered glass in front
- Adjustable intensity and range
- Available with narrow (6°) or wide (10°) vertical divergence
- Programming with a wireless Sabik Easy Programmer, PDA Programmer or PC/USB interface
- Integrated event log for 365 days
- Optionally integrated GPS synchronization
- Optionally integrated GSM Remote monitoring
- Optionally Auxiliary connector for external charger or external Solar Module
- Optionally Primary battery switch



#### Bird spikes

Stainless steel as standard. Easy to replace. Special spikes for protection against Cormorants on request.



#### Solar Modules

Solar modules with tempered glass front well integrated with the PE-housing.



#### GSM

GSM unit and antenna integrated in the lantern for remote monitoring and control. For more information please see the Light-Guard Section.



#### Auxiliary connector

(Optionally) enables external charging or additional solar modules.



#### VRLA Battery

Maintenance free Lead acid battery with a designed lifetime of 7 years.



#### NiCd Battery

High quality NiCd battery for use in low temperature areas down to -40 °C with Arctic electrolyte.



#### Sabik Easy Programmer

User friendly and compact wireless two-way programmer.



#### PDA Programmer

Wireless two-way communication using a Windows based PDA with infra red port. Flash code, range and photocell switch level etc. can be set. With the Programmer also the event log can be retrieved.



#### Programming with PC

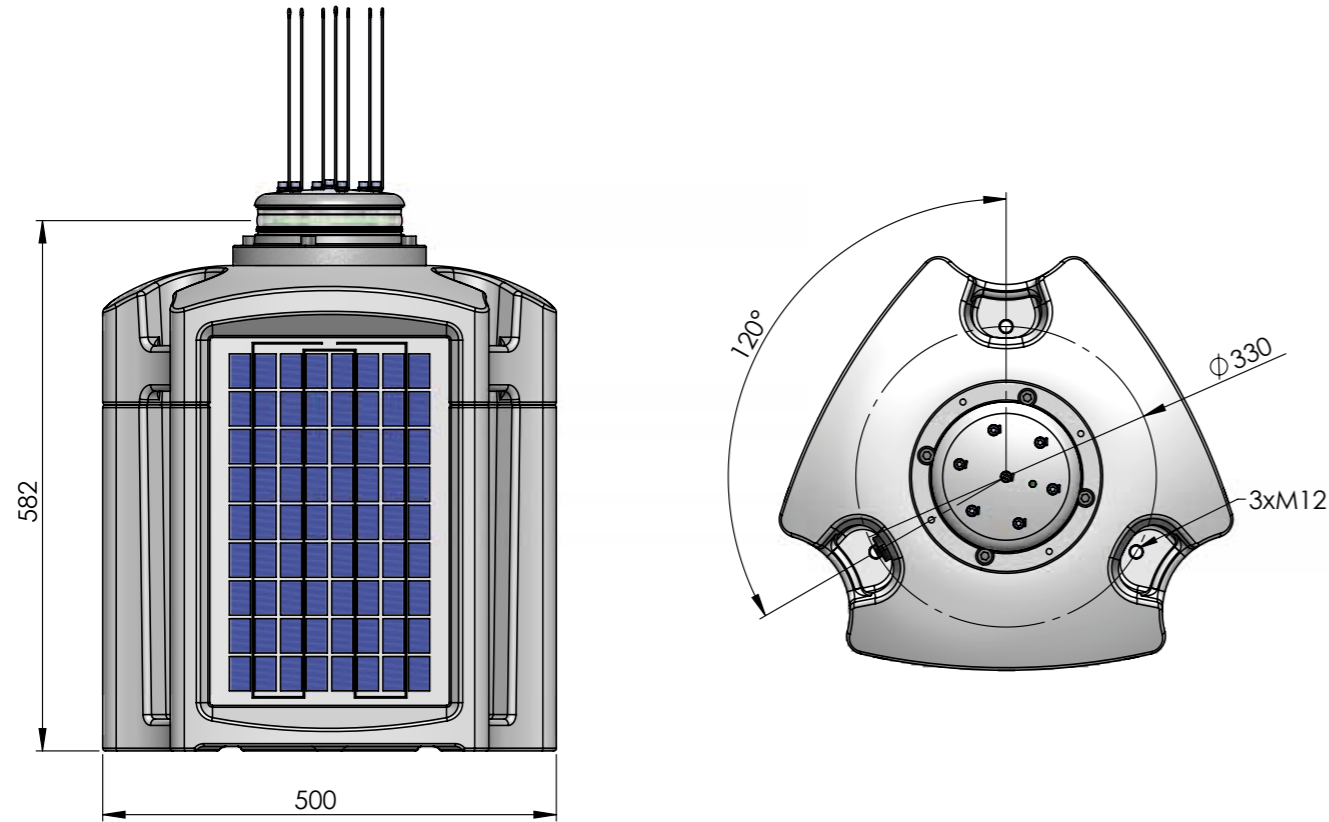
Using Sabik USB interface.



#### Installation

the bottom plate of the Led155 supports installation on structure using 3 x M10 bolts on a 330 mm radius.

## Technical Specification SC 155 II



### Optical performance

Maximum fixed intensity, narrow lens (fixed structures)				
Simplex, 6 W	140 cd	270 cd	420 cd	200 cd

Maximum fixed intensity, wide lens (floating structures)				
Simplex, 6 W	120 cd	180 cd	250 cd	100 cd

### Main Technical Specification

<b>Lens visual/Mechanical diameter</b>	160 mm
<b>Lens material</b>	UV stabilized Polycarbonate
<b>Light source</b>	Light Emitting Diodes (LEDs)
<b>Vertical divergence</b>	6° @ 50% (±1°) and 10° @ 10% (±2°) of peak intensity
<b>Solar modules</b>	3 x 11 W
<b>Battery</b>	VRLA GEL-Type, 60Ah/12V
<b>Weight</b>	37 Kg
<b>Overall height</b>	615 mm
<b>Overall width</b>	510 mm dia.
<b>Installation</b>	3 x M10 on 330 mm dia.

## Order Overview SC 155 II

### Option matrix

<b>NiCd 45AH</b>	45 Ah NiCD battery for low temperature areas
<b>Aux. Connector</b>	Auxiliary connector for external charger
<b>LightGuard GSM</b>	Integrated GSM based monitoring with GSM antenna
<b>LightGuard GSM + GPS</b>	Integrated GSM based monitoring with GSM/GPS antennas
<b>GPS sync</b>	Integrated GPS sync only unit with GPS antenna in lantern top
<b>AIS Type 1</b>	Integrated AIS Type 1
<b>AIS Type 3</b>	Integrated AIS Type 3

SC155 II with VRLA Battery		SC155 II with NiCd Battery	
Red	SC155-2VR	Red	SC155-2CR
Green	SC155-2VG	Green	SC155-2CG
Yellow	SC155-2VY	Yellow	SC155-2CY
White	SC155-2VW	White	SC155-2CW

Lens Options	Enclosure Color (if not indicated enclosure will follow the light color)	Additional Options
N = Narrow (6° @ 50 % of peak intensity)	RD = Red	AUX = Auxiliary Connector for external charger etc.
W = Wide (10° @ 50 % of peak intensity)	GN = Green	GPS = Integrated GPS for synchronization and position monitoring.
	YL = Yellow	GSM = Integrated LightGuard GSM
	GY = Gray	AIS1 = Integrated AIS Typ I
	BK = Black	AIS3 = Integrated AIS Typ 3

### Example: SC155-2VW-W-BK-GPS-GSM

- **SC155-2VW** is the code for SC155 II with VRLA battery and White light color
- **W** is the code for a wide lens
- **BK** is the code for a black enclosure
- **GPS** and **GSM** indicate that GPS and LightGuard GSM should be integrated